

## FRED

### Ultrafast Soft Recovery Diode, 200A

**Features:**

- Ultrafast Recovery
- 175°C operating junction temperature
- High frequency operation
- Low power loss, less RFI and EMI
- Low  $I_R$  value
- High surge capacity
- Epitaxial chip construction



Product Summary	
$V_R$	400 V
$I_{F(AV)}$	100*2A
$t_{rr}$	122ns

**Description/Applications**

These diodes are optimized to less losses and EMI/RFI in high frequency power conditioning system. The soft recovery behavior of the diodes offers the need as snubber in most applications. These devices are ideally suited for HF welding power converters and other applications where the switching losses are not significant portion of the total losses.

Absolute Maximum Ratings				
Parameter	Symbol	Test Conditions	Values	Units
Repetitive peak reverse voltage	$V_{RRM}$		400	V
Continuous forward current(Per Diode)	$I_{F(AV)}$	$T_c = 100^\circ\text{C}$	100	A
Continuous forward current(Per Modle)	$I_{F(AV)}$	$T_c = 100^\circ\text{C}$	200	
Single pulse forward current	$I_{FSM}$	$T_c = 25^\circ\text{C}$	1000	
Maximum repetitive forward current	$I_{FRM}$	Square wave, 20kHz	500	
Operating junction	$T_j$		175	$^\circ\text{C}$
Storage temperatures	$T_{stg}$		-55 to +175	$^\circ\text{C}$

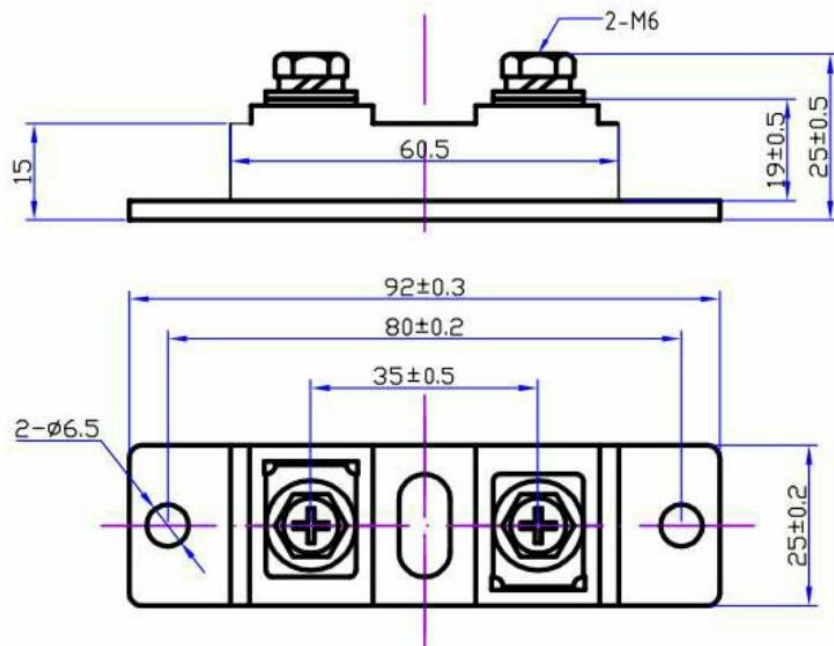
Electrical characteristics (Ta=25°C unless otherwise specified)						
Parameter	Symbol	Test Conditions	Min	Typ.	Max.	Units
Breakdown voltage	$V_{BR}$	$I_R=100\mu A$	400			V
Blocking voltage	$V_R$					
Forward voltage (Per Diode)	$V_F$	$I_F=100A$		1.20	1.35	
Reverse leakage current(Per Diode)	$I_R$	$V_R=V_{RRM}$			50	$\mu A$
		$T_j=150^\circ C, V_R=400V$			500	
Reverse recovery time(Per Diode)	$t_{rr}$	$I_F=0.5A, I_R=1A, I_{RR}=0.25A$		135		ns
		$I_F=1A, V_R=30V, di/dt =200A/\mu s$		122		

### Thermal characteristics

Paramter	Symbol	Typ	Units
Junction-to-Case	$R_{\theta JC}$	0.24	$^\circ C/W$

## Package Information

### M1



## Notice

Thunder Microelectronics Incorporated Limited reserves the right to make changes without further notice to any products or specifications herein. When use the product, be sure to obtain the latest specification.

Thunder Microelectronics Incorporated Limited does not assume any liability arising out of the application or any product described herein. When using Thunder Microelectronics Incorporated Limited products in your equipment, you are requested to take adequate safety measures to prevent the equipment from causing a physical injury ,fire or other problem if any of the products become faulty.

### -Headquarters

WuXi Thunder Microelectronics Incorporated Limited  
Building G2, No.200 LingHu Road, XinWu district, WuXi, China 214135  
Tel: +86-510-85160109 Fax: +86-510-85165556