

FRED

Ultrafast Soft Recovery Diode, 150A

Features:

- Ultrafast Recovery
- 175°C operating junction temperature
- High frequency operation
- Low power loss, less RFI and EMI
- Low I_R value
- High surge capacity
- Epitaxial chip construction



Product Summary	
V_R	600 V
$I_F(AV)$	150*2A
t_{rr}	163ns

Description/Applications

These diodes are optimized to less losses and EMI/RFI in high frequency power conditioning system. The soft recovery behavior of the diodes offers the need as snubber in most applications. These devices are ideally suited for HF welding power converters and other applications where the switching losses are not significant portion of the total losses.

Absolute Maximum Ratings				
Parameter	Symbol	Test Conditions	Values	Units
Repetitive peak reverse voltage	V_{RRM}		600	V
Continuous forward current(Per Diode)	$I_F(AV)$	$T_c = 100^\circ C$	150	A
Continuous forward current(Per Modle)	$I_F(AV)$	$T_c = 100^\circ C$	300	
Single pulse forward current	I_{FSM}	$T_c = 25^\circ C$	1300	
Maximum repetitive forward current	I_{FRM}	Square wave, 20kHz	600	
Operating junction	T_j		175	$^\circ C$
Storage temperatures	T_{stg}		-55 to +175	$^\circ C$

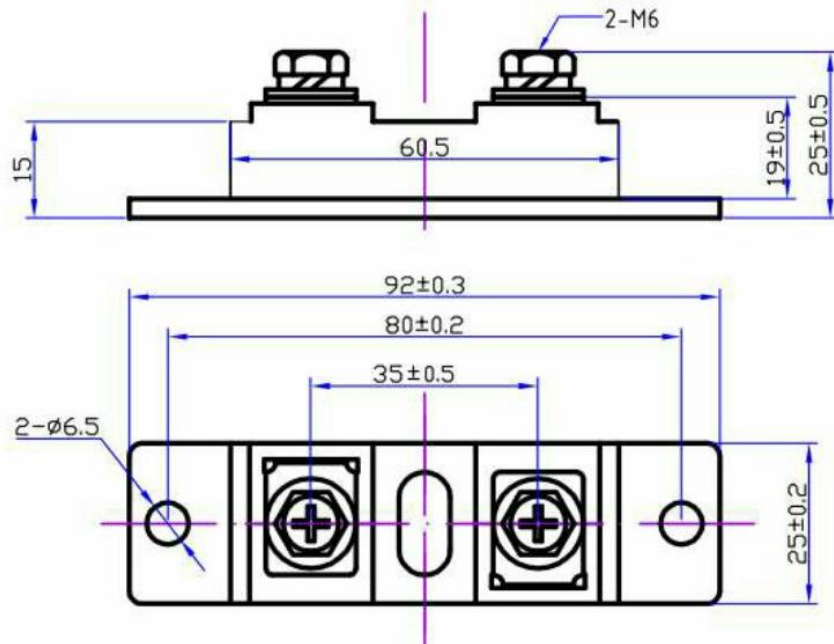
Electrical characteristics (Ta=25°C unless otherwise specified)						
Parameter	Symbol	Test Conditions	Min	Typ.	Max.	Units
Breakdown voltage Blocking voltage	V _{BR} , V _R	I _R =100μA	600			V
Forward voltage (Per Diode)	V _F	I _F =150A		1.65	1.5	
Reverse leakage current(Per Diode)	I _R	V _R = V _{RRM}			50	μA
		T _j =150°C, V _R =400V			500	
Reverse recovery time(Per Diode)	t _{rr}	I _F =0.5A, I _R =1A, I _{RR} =0.25A		170		ns
		I _F =1A, V _R =30V, di/dt =200A/μs		163		

Thermal characteristics

Parameter	Symbol	Typ	Units
Junction-to-Case	R _{θjc}	0.24	°C/W

Package Information

M1



Notice

Thunder Microelectronics Incorporated Limited reserves the right to make changes without further notice to any products or specifications herein. When use the product, be sure to obtain the latest specification.

Thunder Microelectronics Incorporated Limited does not assume any liability arising out of the application or any product described herein. When using Thunder Microelectronics Incorporated Limited products in your equipment, you are requested to take adequate safety measures to prevent the equipment from causing a physical injury ,fire or other problem if any of the products become faulty.

-Headquarters

WuXi Thunder Microelectronics Incorporated Limited
Building G2, No.200 LingHu Road, XinWu district, WuXi, China 214135
Tel: +86-510-85160109 Fax: +86-510-85165556